

**SPACE-RAY®**  
INFRARED GAS HEATERS



# SUBMITTAL DATA

## INFRARED RADIANT TUBE HEATER

CB 20-50 SERIES

NATURAL GAS

(CHECK ONE)

PROPANE GAS

**PROJECT:**

NAME: \_\_\_\_\_ DATE: \_\_\_\_\_

ADDRESS: \_\_\_\_\_

**ARCHITECT/ENGINEER:**

NAME: \_\_\_\_\_

ADDRESS: \_\_\_\_\_

**CONTRACTOR:**

NAME: \_\_\_\_\_

ADDRESS: \_\_\_\_\_

**SUBMITTED BY:**

\_\_\_\_\_

### EQUIPMENT USED:

\_\_\_\_\_  
\_\_\_\_\_  
\_\_\_\_\_  
\_\_\_\_\_  
\_\_\_\_\_  
\_\_\_\_\_  
\_\_\_\_\_  
\_\_\_\_\_

### ACCESSORIES:

- Chain Mounting Kit \_\_\_\_\_
- Thermostat \_\_\_\_\_
- Gas Pressure Regulator \_\_\_\_\_
- Gas Shut-Off Valve \_\_\_\_\_
- Side Reflector \_\_\_\_\_
- Corner Reflector \_\_\_\_\_

- 90° Elbow \_\_\_\_\_
- Combustion Air Cap \_\_\_\_\_
- Vent Cap \_\_\_\_\_
- Other \_\_\_\_\_
- Other \_\_\_\_\_
- Other \_\_\_\_\_

## 1) GENERAL INFORMATION

This heater complies with ANSI Z83.6 (current standard) and CAN 1-2.16. Copies of the National Fuel Gas Code (ANSI Z223.1-latest edition) are available from the CSA at 8501 East Pleasant Valley Road, Cleveland, OH 44131 or 55 Scarsdale Road, Don Mills, Ontario M3B 2R3. All NFPA codes are available from the National Fire Protection Association, Batterymarch Park, Quincy, MA 02269.

This heater is a self-contained infrared radiant tube heater for use in locations where flammable gases or vapors are not generally present (as defined by OSHA acceptable limits) and is intended for the heating of nonresidential spaces.

### INSTALLATION REQUIREMENTS

Installation of this heater must be in accordance with all applicable codes shown in the instructions and/or the local codes and authorities having jurisdiction. In Canada, the installation must conform to current CAN/CGA-B149.1/2 Installation Code in the absence of local codes. Heaters shall be installed by a licensed contractor or licensed installer. Clearances to combustibles as outlined in this manual should always be observed. In areas used for storage of combustible materials where they may be stacked below the heater, NFPA54 requires that the installer must post signs that will "specify the maximum permissible stacking height to maintain the required clearances from the heater to combustibles."

Every heater shall be located with respect to building construction and other equipment so as to permit access to the heater. Each installer shall use quality installation practices when locating the heater and must give consideration to clearances to combustible materials, vehicles parked below, lights, overhead doors, storage areas with stacked materials, sprinkler heads, gas and electrical lines, and any other possible obstructions or hazards. Consideration also must be given to service accessibility.

The heater, when installed in aircraft hangars and public garages, must be installed in accordance with ANSI/NFPA 409-latest edition (Standard for Aircraft Hangars), ANSI/NFPA 88a-latest edition (Standard for Parking Structures), and ANSI/NFPA 88b-latest edition (Standard for Repair Garages) with the following clearances:

- At least 10 feet above the upper surfaces of wings or engine enclosures of the highest aircraft that may be housed in the hangar and at least 8 feet above the floor in shops, offices, and other sections of hangars communicating with aircraft storage or service areas.
- At least 8 feet above the floor in public garages. **▲WARNING:** Minimum clearances marked on the heater must be maintained from vehicles parked below the heater.

### (FOR CANADA ONLY)

- Installation of this appliance is to be in accordance with latest edition of CAN 1-B149.1 (Installation Code for Natural Gas Burning Appliances and Equipment), and/or CAN B149.2 (Installation Code for Propane Gas Burning Appliances and Equipment).
- For installation in public garages or aircraft hangars, minimum clearances from the bottom of the infrared heater to the upper surface of the highest aircraft or vehicle shall be 50 percent greater than the certified minimum clearance, but the clearance shall not be less than 8 feet.

This heater is for Indoor Installation and Covered Patio Installation only and can be used in either Vented or Unvented mode. The term Unvented actually means Indirect Vented. While the products of combustion are expelled into the building, national codes require ventilation in the building to dilute these products of combustion. This ventilation may be provided by gravity or mechanical means.

**This heater is not an explosion proof heater.** Where the possibility of exposure to volatile and low flash point materials exists, it could result in property damage or death. This heater must not be installed in a spray booth where the heater can operate during the spraying process. Consult your local fire marshal or insurance company.

**▲WARNING:** Certain materials or objects, when stored under the heater, will be subjected to radiant heat and could be seriously damaged. Observe the Minimum Clearances to Combustibles listed in the manual and on the heater at all times.

## 2) CB SERIES - SPECIFICATIONS

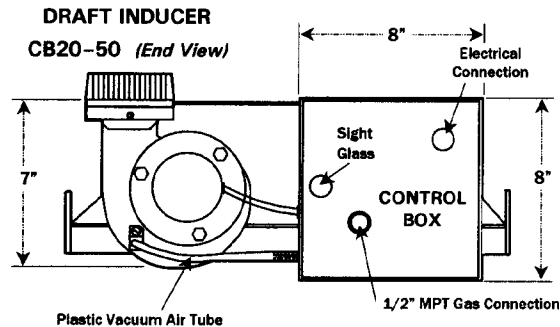
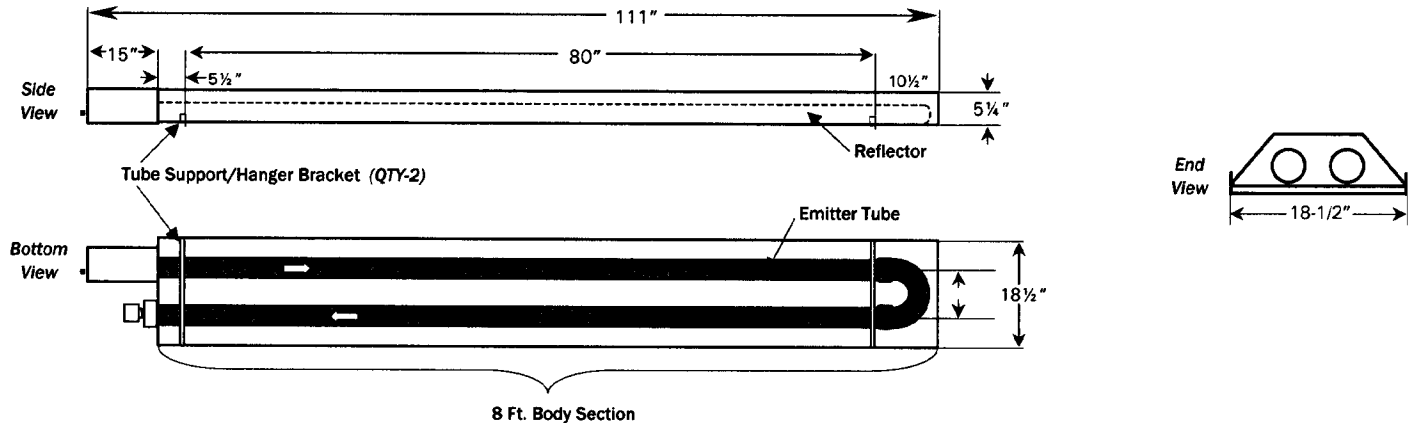
Model No.	Btu/hr Input	Flue Restrictor Plate I.D. & Part #	Orifice Size		Minimum Mounting Height	
			Natural Gas	Propane Gas	@ Horizontal	@45° Angle
CB20	20,000	7/8" #42741120	#45 (0.082)	#52 (0.0635)	8 feet*	8 feet*
CB30	30,000	7/8" #42741120	#38 (0.1015)	#52 (0.0635)	8 feet*	8 feet*
CB40	40,000	1" #42741041	#31 (0.120)	#49 (0.0730)	8 feet*	8 feet*
CB50	50,000	1-1/8" #42741031	3.3MM (0.130)	#46 (0.0810)	8 feet*	8 feet*

\* LOWER MOUNTING KIT required for installations between 6 ft. and 8 ft.

<b>Type Gas:</b>	<b>Gas-Pipe Connection:</b>	<b>Tube Diameter:</b>	<b>Flue Connection:</b>	<b>Fresh Air Connection:</b>	<b>Electrical Supply:</b>	<b>Current Rating:</b>
Natural or Propane	1/2" NPT (Female)	3 inch	4 inch Round	4 inch Round	120 Volt, 60Hz, 1 Phase	2.6 Amp

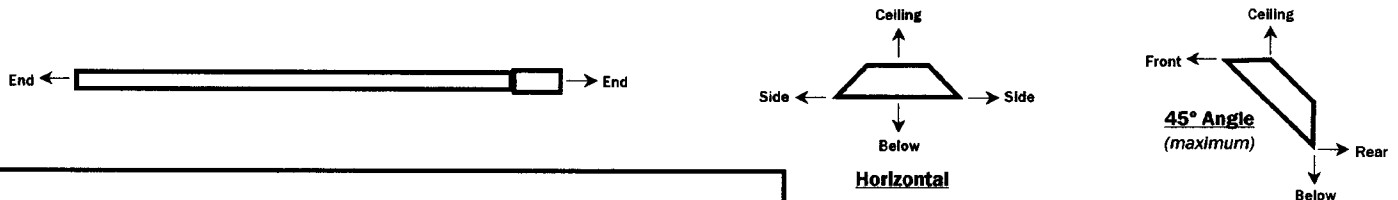
<b>Ignition System:</b>	<b>Fuse Rating:</b>
Direct Spark (with 30-second prepurge period)	Spark Module: 3 Amp, 250 Volts (for 24V Circuit)

### 3) CB SERIES - DIMENSIONS



### 4) MINIMUM CLEARANCES TO COMBUSTIBLES

Minimum clearances to combustibles shall be measured from the outer surfaces as shown in the following Minimum Clearances to Combustibles table. For reduced clearances below the heater, use the Deflector Kit (Part No. 43504010) and maintain the minimum clearances specified in the notes below. Follow the instructions packaged with the kit for installation.



MINIMUM CLEARANCES TO COMBUSTIBLES						
Model	Sides	Ceiling <sup>1</sup>	Below <sup>2</sup>	Ends	Mounted at 45° Angle	
					Front	Rear
CB 20	8"	4"	41" *	8"	30"	4"
CB 30	8"	4"	41" *	8"	30"	4"
CB 40	12"	4"	57" **	8"	40"	4"
CB 50	12"	4"	57" **	8"	40"	4"

#### NOTES:

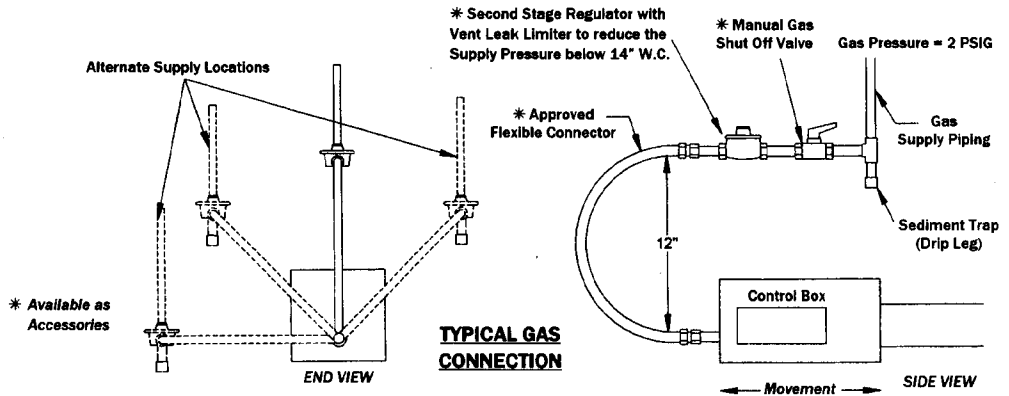
- \* 33" with deflector.
- \*\* 42" with deflector / 30-inch side clearance with deflector.
- 1 → Ceiling clearance is 12" when installed in an UNVENTED configuration in industrial and commercial installations.
- 2 → IN CANADA, clearances below the heater are:
  - CB20 → 36" (27" with deflector)
  - CB30 → 36" (27" with deflector)
  - CB40 → 48" (36" with deflector)
  - CB50 → 48" (36" with deflector).

**! IMPORTANT:** The clearances specified above must be maintained to combustibles and other materials that may be damaged by temperatures 90°F above ambient temperature. Clearances to combustibles are posted on the control box. The Lower Mounting Height Kit (Part #43515000) must be used for installations with mounting heights between 6 ft. and 8 ft. Clearances below the heater must be maintained from the top surface of carpeting or any other combustible material. In areas used for storage of combustible materials where they may be stacked below the heater, NFPA54 requires that the installer must post signs that will "specify the maximum permissible stacking height to maintain the required clearances from the heater to combustibles." Space-Ray recommends posting these signs adjacent to the heater thermostat or other suitable location that will provide enhanced visibility.

**5) GAS CONNECTIONS**

Certified connectors are recommended to be installed as shown, in one plane, and without sharp bends, kinks or twists. The gas take off from the drop line must be parallel to the burner gas inlet connection.

If the maximum supply pressure is less than 1/2 psig, a second stage regulator is not required.

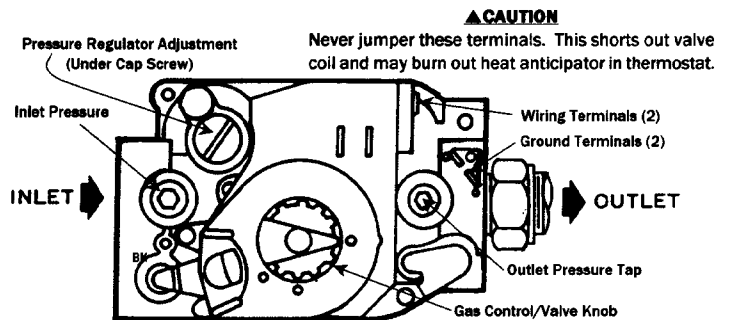


**6) GAS PRESSURE TABLE**

**Supply Pressure** - The installer will provide a 1/8" N.P.T. plugged tapping, accessible for test gauge connection immediately upstream of the gas supply connection to the heater.

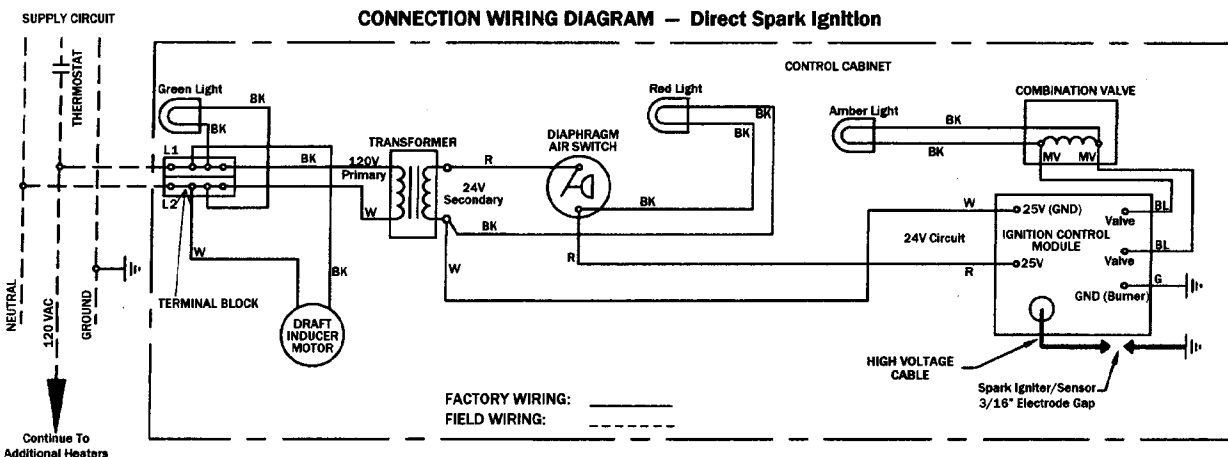
GAS PRESSURE TABLE			
GAS TYPE	MANIFOLD PRESSURE	SUPPLY PRESSURE	
		Minimum*	Maximum
Natural Gas	3.5" W.C.	5" W.C.	14" W.C.
Propane Gas	10.0" W.C.	11" W.C.	14" W.C.

\* Minimum permissible gas supply pressure for purpose of input adjustment.



This appliance is equipped with a step-opening, combination gas valve. The maximum supply pressure to the appliance is 14" W.C. or 1/2 P.S.I. If the line pressure is more than the maximum supply pressure, then a second stage regulator, which corresponds to the supply pressure, must be used.

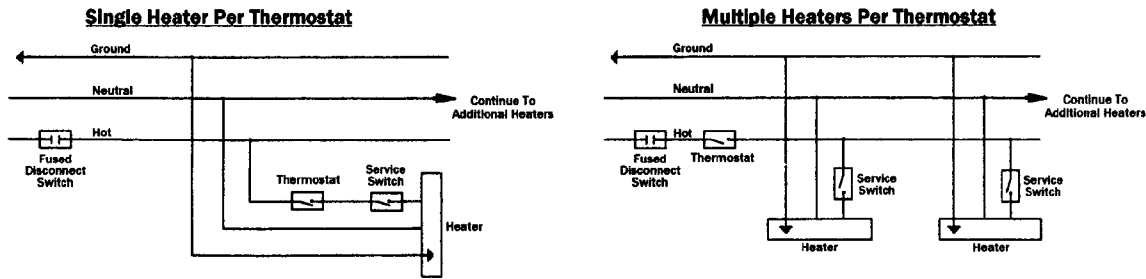
**7) ELECTRICAL CONNECTIONS**



- NOTES:**
1. If any of the original wire as supplied with the appliance must be replaced, it must be replaced with wiring material having a temperature rating of at least 105°C. (18 Ga. CSA-600V-Type TEW)
  2. When connecting the supply circuit to the heater, wiring material having a minimum size of 14 AWG and a temperature rating of at least 105°C shall be used.
  3. A replaceable 3-amp fuse (1-1/4" long) is fitted to the Ignition Control Module.

## 8) THERMOSTAT CONNECTIONS

### TYPICAL THERMOSTAT CONNECTIONS



## 9) VENTING

**A. BASIC FLUE VENTING** — Venting must comply with the latest edition of the National Fuel Gas Code (ANSI Z223.1-latest edition) or the authority having jurisdiction. Uninsulated single-wall metal pipe shall not be used outdoors in cold climates for venting of these heaters as specified by Section 7.8 of the ANSI Z223.1/NFPA 54 National Fuel Gas Code-latest edition. For the installation of a single-wall metal pipe through an exterior combustible wall, refer to the latest edition of the National Fuel Gas Code or the authority having jurisdiction. In regions of the country where prevailing winds are consistently higher than 40 mph, it may be necessary to terminate the vent system above the roof level. Other venting references are in the equipment volume of the ASHRAE Handbook.

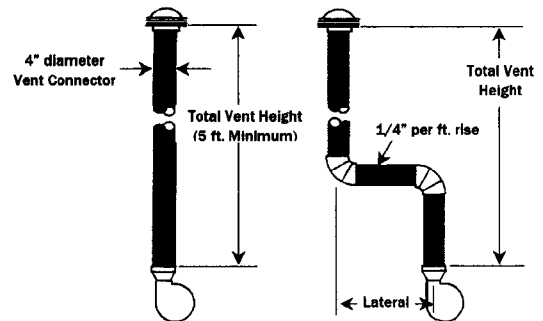
**SINGLE HEATER VENTING (VERTICAL THROUGH THE ROOF)** NOTE: For residential applications, the heater must not be connected to a separate chimney, but must be installed using the venting system as specified below.

- When venting the heater to outside of building through a roof, use 4 inch O.D. single-wall metal pipe. This is to be constructed of galvanized sheet metal or other approved noncombustible corrosion-resistant material as allowed by state or local codes.
- A vent passing through a combustible roof shall extend through a 2-inch clearance roof thimble. Double-wall, Type B vent must be used for the portion of the vent system which passes through the roof. An approved vent cap (Leslie "VersaCap"-Type B) must be attached to end of the flue.
- The maximum equivalent length of vent pipe should be carefully observed. A safety switch in the heater is designed to shut the heater off before excessive flue restriction causes bad combustion. Refer to the Vent Sizing Table at the end of this section for required vent pipe diameter.

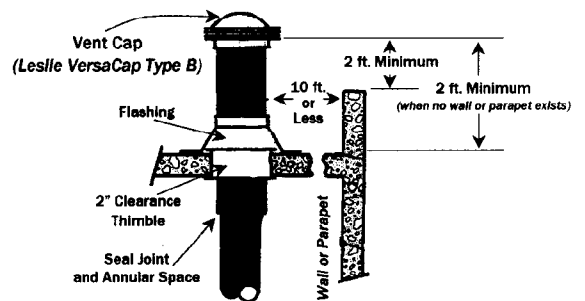
- Minimum Equivalent Length = 5 ft. of Pipe
- Maximum Equivalent Length = 100 ft. of Pipe

Use the following correction factors to obtain the equivalent length:

- Subtract 15 ft. if the run is horizontal.
  - Subtract 10 ft. for an approved vent cap.
  - Subtract 10 ft. for each elbow beyond 15 ft. from the heater.
  - Subtract 15 ft. for each elbow within 15 ft. of the heater.
- Avoid locating elbows in the first 5 ft. of vent pipe whenever possible. Limit the quantity of 90° elbows to two (2). When vent pipe is in a horizontal run, it must have 1/4 inch per foot rise.
  - Joints between sections of piping shall be fastened by sheet metal screws or other approved means and should be sealed to prevent leakage of flue gas into building. **For Residential Installations:** The seams along the length of the piping and the joints between sections of piping should be sealed to prevent a potential leakage of flue gas into building. Use 100% RTV Silicone Rubber Adhesive sealant suitable for 500°F. **For Commercial and Industrial Installations:** Use aluminum or teflon tape suitable for 550°F (3M Company tapes #433 or #363) or RTV silicone sealant.
  - All portions of the vent pipe shall be supported to prevent from sagging.
  - When the vent pipe passes through areas where the ambient temperature is likely to induce condensation of the flue gases, the vent pipe should be insulated and a condensation drain should be provided.

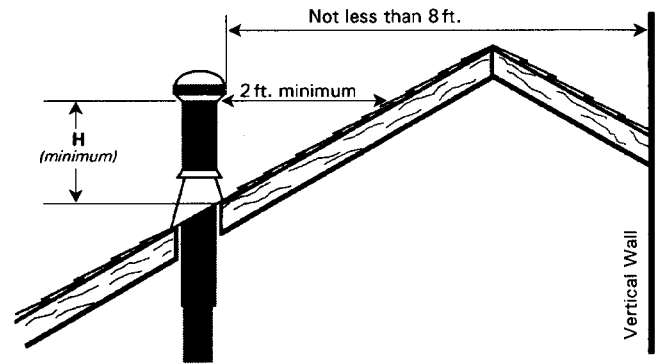


### SINGLE HEATER VENTING



### Vertical Through the Roof

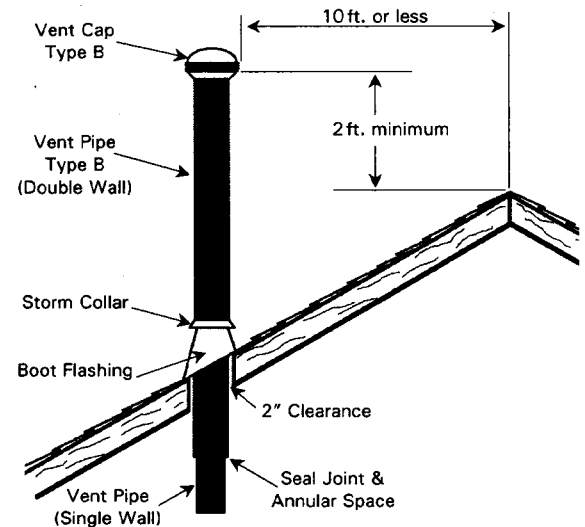
8. Minimum clearance for single-wall flue pipe to combustible material shall be 6 inches. This may be reduced when the combustible material is protected as specified in the National Fuel Gas Code or the authority having jurisdiction.
9. Single-wall metal pipe shall not originate in any unoccupied attic or concealed space and shall not pass through any attic, inside wall or concealed space, or through any floor. For the installation of a single-wall metal pipe through an exterior combustible wall, refer to latest edition of the National Fuel Gas Code or the authority having jurisdiction.
10. A venting system shall terminate at least 3 ft. (0.9m) above any forced air inlet located within 10 ft. (3.1m).



#### VENT TERMINATION (RESIDENTIAL INSTALLATIONS)

1. The vent terminal shall terminate above the roof line so that no discharge opening is less than 2 feet (0.6m) horizontally from the roof surface. The lowest discharge opening will be no closer than the minimum height specified in the following table. These minimum heights may be used provided the vent is not less than 8 feet (2.4m) from any vertical wall or similar obstruction.
2. All other gas vents shall terminate not less than 2 feet (0.6m) above the highest point where they pass through the roof and at least 2 feet (0.6m) higher than any portion of a building located within 10 feet (3.1m) as shown in the illustration below.

MINIMUM HEIGHT FROM ROOF TO LOWEST DISCHARGE OPENING			
Roof Pitch			H (Min)
Flat	to	6/12	1.0 Feet
Over 6/12	to	8/12	1.5 Feet
Over 8/12	to	10/12	2.5 Feet
Over 10/12	to	12/12	4.0 Feet
Over 12/12	to	16/12	6.0 Feet
Over 16/12	to	20/12	7.5 Feet
Over 20/12	to	21/12	8.0 Feet



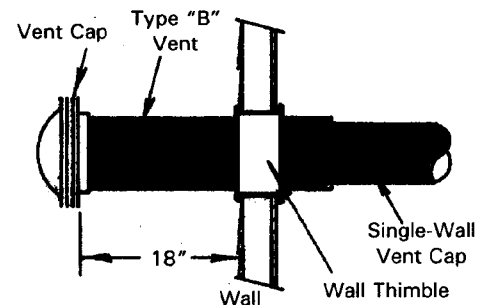
#### SINGLE HEATER VENTING (HORIZONTAL THROUGH SIDEWALL)

This heater, when horizontally vented, must be installed with the approved venting system. When venting the heater horizontally through a combustible outside sidewall, the same requirements listed previously for venting Vertical Through The Roof apply except as follows:

1. When venting the heater to the outside of the building through a sidewall, use 4-inch O.D. single-wall metal pipe. This is to be constructed of galvanized sheet metal or other approved noncombustible, corrosion-resistant material as indicated by state and/or local codes.
2. For horizontal venting, the vent lengths may be as follows:
  - Minimum Equivalent Length = 5 ft. of Pipe
  - Maximum Equivalent Length = 75 ft. of Pipe
 Use the following correction factors to obtain the equivalent length:
  - a. Subtract 15 ft. if the run is horizontal.
  - b. Subtract 10 ft. for an approved vent cap.
  - c. Subtract 10 ft. for each elbow beyond 15 ft. from the heater.
  - d. Subtract 15 ft. for each elbow within 15 ft. of the heater.

**NOTE:** To minimize problems associated with condensation in long horizontal runs, vent pipe can be insulated.

3. The horizontal venting system approved with this heater consists of the following components: one 4" Vent Cap (Part #41000020), one 4" x 36" 'B' Vent Section (Part #30496360), and one 4" Wall Thimble (Part #30500040). Please specify the appropriate number of 24-inch sections of single-wall vent pipe and elbows when ordering: Vent Pipe (Part #30497240), 90° Elbows (Part #30498040), and 45° Elbows (Part #30499040).
4. Avoid locating elbows in the first 5 feet of vent pipe whenever possible. Limit the quantity of 90° elbows to two (2). When vent pipe is in a horizontal run, it must be pitched downward 1/4 inch per foot towards the vent terminal. The heater must be installed level.
5. The horizontal venting system shall not terminate:
  - a. Less than 4 ft. (1.2m) below, 4 ft. (1.2m) horizontally from, or 1 ft. (30cm) above any door, window or gravity air inlet into any building. The bottom of the vent terminal shall be located at least 7 ft. (2.1m) above grade or above snow accumulation level as determined by local codes.



**Horizontal Through Sidewall**

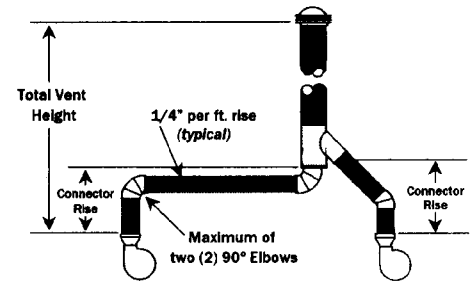
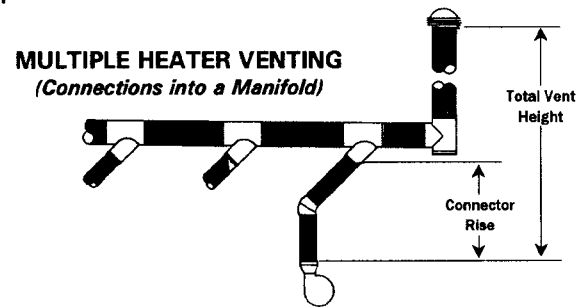
- b. Less than 3 ft. (0.9m) from a combustion air inlet.
  - c. Less than 3 ft. (0.9m) from any other building opening or any gas service regulator.
  - d. Directly over areas where condensate or vapor could create a nuisance or hazard or be harmful to the operation of gas utility meters, regulators, relief valves, or other equipment. Building materials should be protected from flue gases and condensate.
6. In regions of the country where prevailing winds are consistently higher than 40 mph, it may be necessary to terminate the vent system above the roof level.

**MULTIPLE HEATER VENTING (CONNECTIONS INTO A COMMON VENT OR MANIFOLD)**

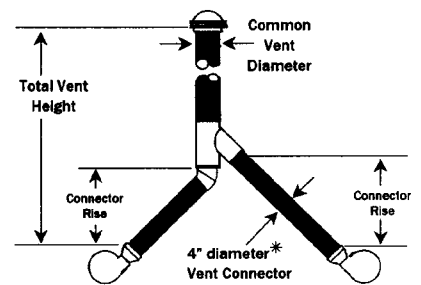
Requirements for venting of multiple heaters are the same as previously described for SINGLE HEATER VENTING except as follows:

1. The common vent size and total vent height is normally determined by the number of heaters per common vent, length of horizontal connector runs, and connector rise. Connector lengths should be as short as possible and have a minimum 1/4" per ft. rise. Without regard to connector rise and total vent height due to many possible venting configurations, the following should be observed:
  - a. Common vent pipe and vent connector diameter should be no less than that shown in the following Vent Sizing Table.
  - b. The connector length should be no more than 75% of the vertical portion of vent above the connector.
  - c. Where possible, use a Y-connector to the common vent.
2. Material for connectors should be constructed of galvanized sheet metal or other approved noncombustible corrosion resistant material as allowed by state or local codes. All common vent pipe should be double wall, Type B vent.
3. Avoid unnecessary bends. Limit to two (2) 90° elbows.
4. The entire length of vent connector shall be readily accessible for inspection, cleaning and replacement.
5. Groups of heaters with a common vent must be controlled by a common thermostat.

**▲WARNING: COMMON VENTING OF MULTIPLE HEATERS IN CONFINED SPACES IS PROHIBITED. If any heater connected to a common vent system for multiple heaters is found inoperative, the heater should be disconnected from the vent system and its entrance into the vent system capped.**



**MULTIPLE HEATER VENTING (Connections into a Common Vent)**



VENT SIZING TABLE	Number of Heaters				
	1	2	3	4	5
CB 20	4"	4"	4"	4"	5"
CB 30	4"	4"	4"	5"	5"
CB 40	4"	4"	5"	5"	6"
CB 50	4"	4"	5"	5"	6"

**MULTIPLE HEATER VENTING – COMMON VENT DIAMETER**

NOTE: If a size is not available use the next larger size.

THE FOLLOWING ILLUSTRATIONS AND TABLE OF VENT SIZES FOR COMMON VENTING OF MULTIPLE HEATERS ARE IN ACCORDANCE WITH THE NATIONAL FUEL GAS CODE ANSI Z223.1-LATEST EDITION, NFPA #54-LATEST EDITION, EQUIPMENT VOLUME OF 1988 ASHRAE HANDBOOK, CURRENT CAN/CGA-8149.1/2-M86 INSTALLATION CODE, AND AGA PUBLICATION NO. 10M5.85 2.5-2 ON FUNDAMENTALS OF GAS APPLIANCE VENTING AND VENTILATION-REVISED BUT ARE NOT A PART OF THE CSA CERTIFICATION.

**B. INDIRECT VENTING (UNVENTED HEATERS)**

**— COMMERCIAL AND INDUSTRIAL INSTALLATIONS ONLY —**

This heater requires ventilation in the building to dilute the products of combustion and provide fresh air for efficient combustion. Where unvented heaters are used, gravity or mechanical means shall be provided to supply and exhaust at least 4 CFM per 1,000 Btu/hr input of installed heaters. Exhaust vents must be located at the highest point above and in the vicinity of the heaters and the inlet vents must be located below the level of the heaters. An exhaust hood (Part No. 42924040) must be placed directly on the flue pipe starting collar when used unvented and must be mounted only in an upright position and directed towards the reflector body.

**10) AIR FOR COMBUSTION**

If indoor combustion air is to be supplied for a tightly enclosed area, one square inch of free area opening shall be provided below the heater for each 1,000 Btu/hr of heater input. Adequate clearances around the perforated fresh air plate must be maintained at all times. In larger open areas of buildings, infiltration normally is adequate to provide air for combustion.

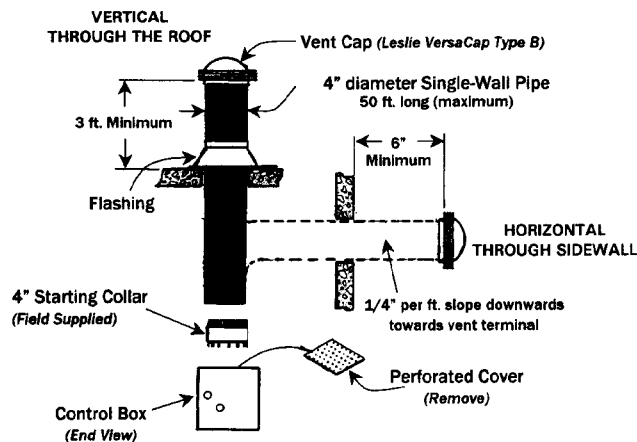
## 11) DIRECT OUTSIDE AIR FOR COMBUSTION

Outside combustion air should be supplied directly to the heater when the building is subject to negative pressure, or when contaminants or high humidity are present in the building air. These contaminants include paints, solvents, corrosive vapors or any other foreign particles that may cause damage to the heater or result in poor combustion.

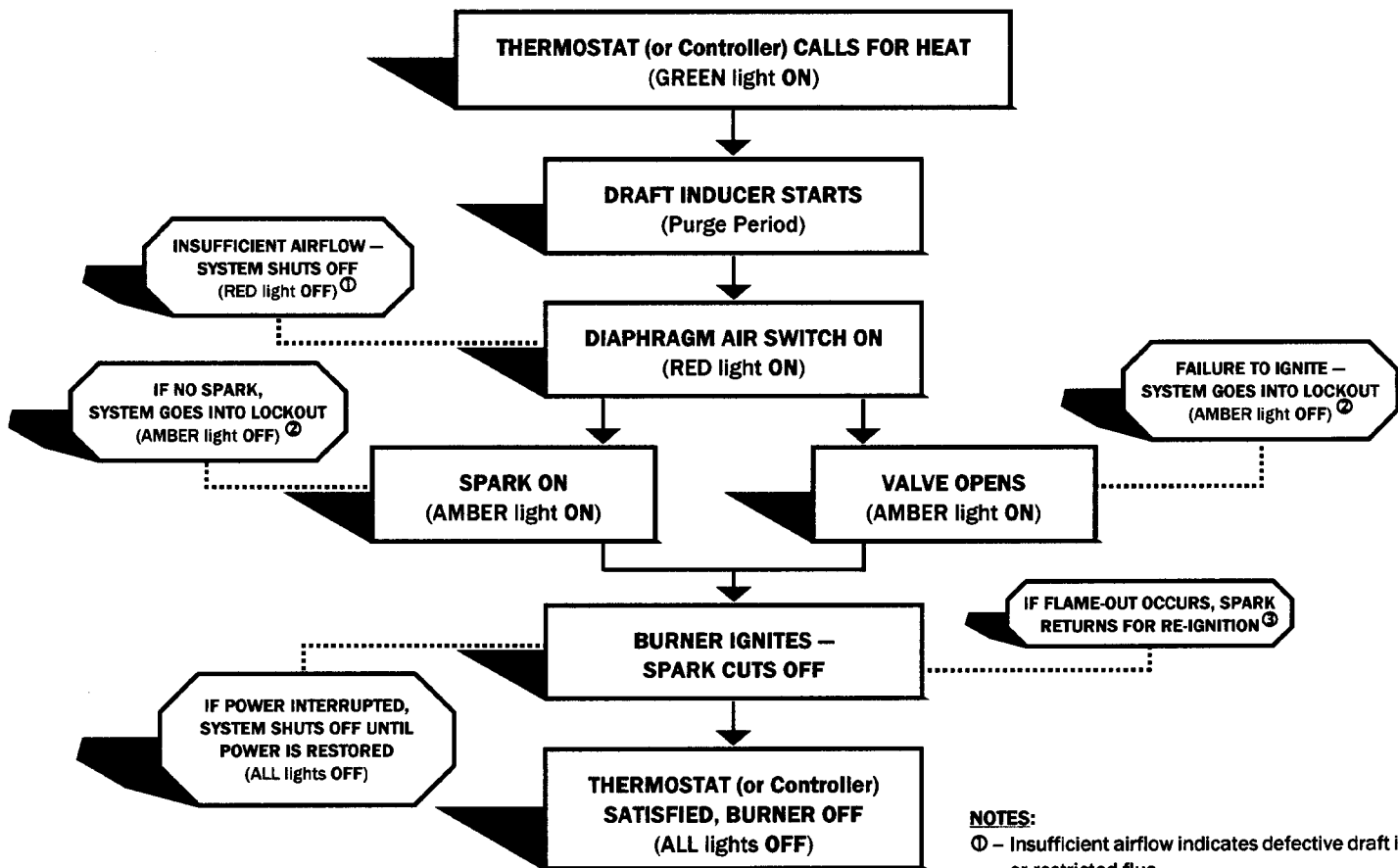
Outside combustion air can be brought directly to the heater by a 4" diameter duct less than 50 ft. long or equivalent. This is attached to a 4" diameter starting collar. The starting collar is fitted to the top of the control cabinet **after first removing and discarding the perforated cover**. An approved vent cap must be placed directly on the end of the outside combustion air inlet pipe. The combustion air inlet should be a minimum of 3 ft. (0.9m), either vertically or horizontally, from the flue vent termination. The air intake terminal must be located not less than 1 ft. (30cm) above grade. It is good installation practice to supply combustion air from the same pressure zone as the vent outlet. Avoid bringing combustion air to the heater from an attic space. There is no guarantee that adequate combustion air will be supplied.

In colder climates, where necessary, insulate the outside combustion air duct. Avoid locating the outside combustion air duct directly above the control box. Provide a capped cleanout T as necessary. In high humidity applications, the control box should be sealed with silicone sealer.

In multiple heater applications, the combustion air intake may be ducted individually or common ducted in the same configuration as shown for venting in Section 9. For combustion air intake duct sizing, please refer to the **Vent Sizing Table** and use the diameter indicated, based on the number of heaters per duct.



## 12) SEQUENCE OF OPERATION



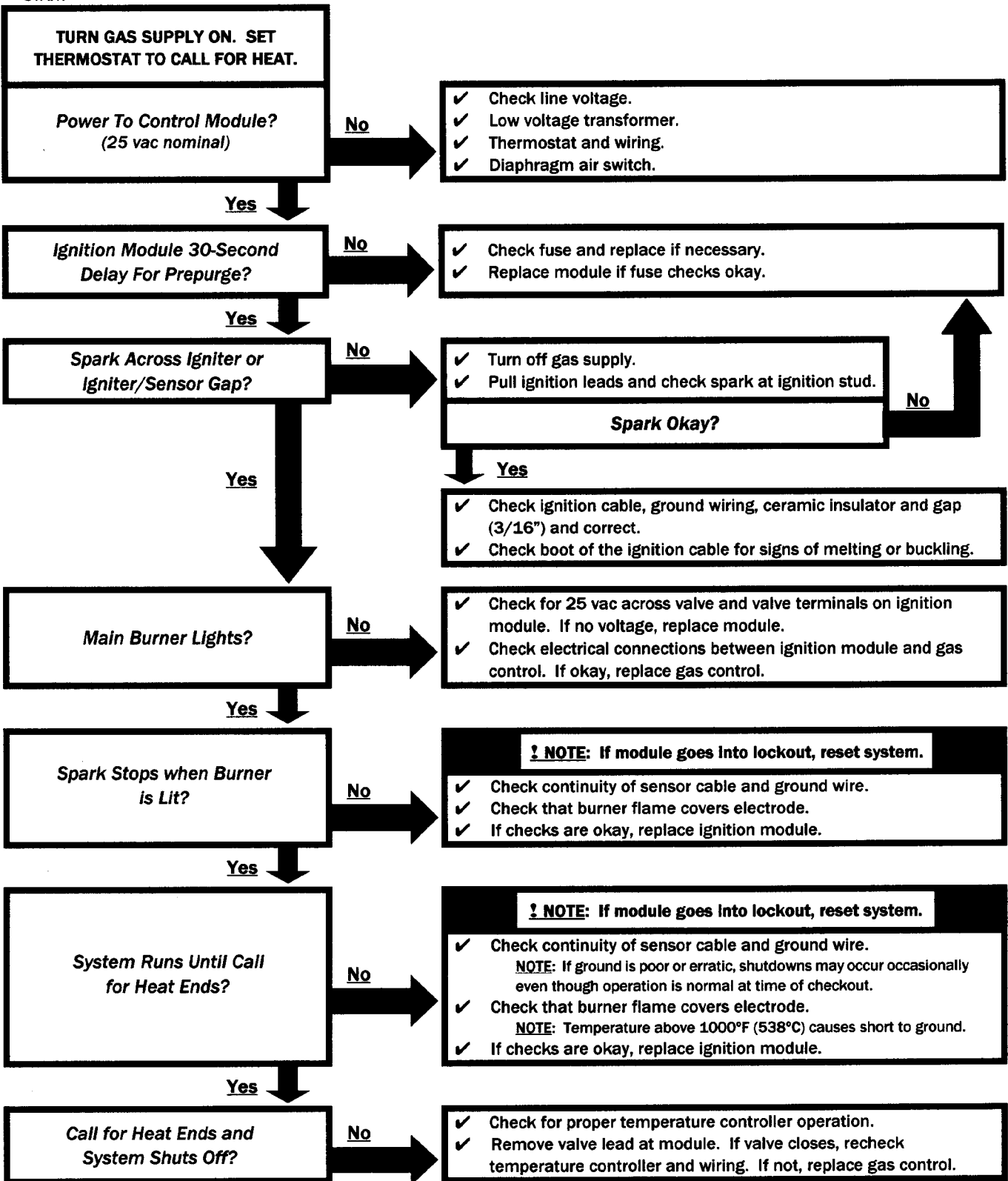
### NOTES:

- ① - Insufficient airflow indicates defective draft inducer or restricted flue.
- ② - Corrective action and system reset are necessary.
- ③ - If burner does not re-ignite, system goes into lockout. Corrective action and system reset are necessary.

**ERROR** -- Octagons represent actions resulting from possible malfunction.

**13) TROUBLESHOOTING GUIDE OF DIRECT SPARK IGNITION SYSTEM**

-START-



-END TROUBLESHOOTING-

REPEAT PROCEDURE UNTIL TROUBLE-FREE OPERATION IS OBTAINED.

**14) LIMITED WARRANTY**

**LIMITED WARRANTY:** Gas-Fired Products, Inc., the manufacturer, warrants to the original owner of any Space-Ray infrared gas heater that said heater will be free from defects in material or workmanship under normal use and service. The heater(s) shall be installed, used and maintained strictly in accordance with the manufacturer's instructions. The manufacturer's sole obligation under this warranty shall be limited to furnishing replacement parts, F.O.B. Charlotte, NC, for 12 months from the date of installation, or 18 months from the date of shipment by the manufacturer, whichever period shall expire first. Labor charges for removal of defective parts and the installation of the replacement parts are not included. This warranty applies only within the USA and Canada.

**WARNING:** Manufacturer's warranty shall not apply: (a) to damage to the heater when used in an atmosphere containing halogenated hydrocarbons or other corrosive chemicals. Some compounds in the air can be ingested into the equipment and can cause an accelerated rate of corrosion of some of the parts of the heating components. The use of such chemical compounds in or near the operating environment of the heater should be avoided where a longer heater life is desirable; (b) to any heater or components which have been repaired or replaced with other than factory parts, modified in any way, misused or damaged, or which have been used contrary to the manufacturer's written instructions. Replacement parts are available through Space-Ray representatives or their distributors.

**LIMITATION OF WARRANTY:** THERE ARE NO WARRANTIES, EXPRESS OR IMPLIED, WHICH EXTEND BEYOND THE DESCRIPTION ON THE FACE HEREOF. WITHOUT LIMITING THE FOREGOING, THE MANUFACTURER EXPRESSLY EXCLUDES ANY AND ALL IMPLIED WARRANTIES, INCLUDING BUT NOT LIMITED TO ANY IMPLIED WARRANTY OF FITNESS FOR A PARTICULAR PURPOSE AND ANY IMPLIED WARRANTY OF MERCHANTABILITY FOR ITS PRODUCTS.

If any provision of this warranty is found to be void, unenforceable or unconscionable, then the same is hereby severed and the remainder of this warranty is hereby saved and shall remain in force.

**EXCLUSIVE REMEDY:** The sole and exclusive remedy under this warranty is the replacement of the defective parts or heaters as hereinabove specified. THE MANUFACTURER DOES HEREBY EXPRESSLY EXCLUDE ANY AND ALL LIABILITY FOR INCIDENTAL AND CONSEQUENTIAL DAMAGES UNDER THIS OR ANY OTHER WARRANTY. Without intending to limit the aforesaid exclusion, THE MANUFACTURER DOES HEREBY EXCLUDE ANY LIABILITY UNDER THIS OR ANY OTHER WARRANTY FOR INJURIES AND COMMERCIAL LOSSES TO PROPERTY THAT RESULT FROM THE OPERATION, PROPER OR IMPROPER, OF ITS PRODUCTS.

**ADDITIONAL WARRANTY ON HEAT EMITTING SURFACE AND BURNER:** Manufacturer warrants to the original owner of any CSA design certified heater that, if installed, used and maintained strictly in accordance with the printed instructions received with the heater, the manufacturer will at any time during the below listed time periods, furnish at no cost to the original owner, replacement emitters or burners which have become inoperative by reason of any defect in our workmanship, materials or construction. The manufacturer's obligation under this warranty shall be limited to furnishing replacements under the following time periods from the date of installation:

	<u>Emitter</u>	<u>Burner</u>
<b>CB Series:</b>	<b>5 Years</b>	<b>10 Years</b>

The manufacturer will not be responsible for labor charges incurred for removal or installation of emitters. Any transportation charges involved in the return or repair are excluded.

**ADDITIONAL TERMS:** Manufacturer assumes no liability for delay in performing its obligations under the aforesaid warranty. Manufacturer assumes no liability for failure in performing its obligations thereunder if failure results directly or indirectly from any cause beyond its control, including but not limited to acts of God, acts of Government, floods, fires, shortages of materials, strikes and other labor difficulties or delays or failures of transportation facilities.

This is a Non-Residential product (excluding the CB Series which is certified for residential and non-residential use). Installation and service shall be by a Licensed Contractor and in accordance with National and Local Codes.

When presenting warranty claims, proof of date of purchase must be submitted.

No Representative is authorized to assume for the manufacturer any liability except as set forth above.

**SPACE-RAY®**

*A Division of Gas-Fired Products, Inc.*

Post Office Box 36485 (28236) • 305 Doggett Street (28203) • Charlotte, North Carolina  
Phone (704) 372-3485 • Fax (704) 332-5843 • www.spaceray.com • email: info@spaceray.com